



Recessed Manually Foldable Monitor



Keywords

- *Ultra-narrow bezel*
- *Anti-glare treatment*
- *No visible cabling*
- *Narrow cutting in the table*
- *Safe, DC 12V power supply*

CE
FCC



Thanks for choosing us,
Please read this instruction carefully before using the device.



Please remove the transportation screws in the back, right, left side of housing and protection foam of the screen before power up to avoid damage to the product!

In order to make sure the device is working properly, please follow below instructions:

- If found any abnormal situation, please cut off the power, plug off the power cord and contact the supplier. To avoid any fire accident, DON'T use device in following situations,
 - If peculiar smell found or fog comes from the product
 - If water or metal parts get inside the product
 - If the housing is deformed or damaged
 - If internal wire is broken
- As the device is high voltage, please DON'T open the housing at random to avoid fire or electric shock.
- DON'T put any conducting liquid on top of the product, to avoid fire or electric shock.
- The product is I type, should be connected to ground.



- Display

screen size	21.5 inch
matrix type	IPS
resolution	1920*1080
brightness	250cd/ m ²
contrast ratio	1000:1
aspect ratio	16:9
view angle	89/89/89/89
backlight lifespan	30000 hours
response time (if any)	30(Typ.)(Tr+Td)ms
screen tilt	0-110° manually adjustable
touch (if any)	10 point capacity

- Electronical

signal input	HDMI+HDMI+DP
touch input (if any)	USB touch
terminal block	PC switch+signal switch
power supply	DC 12V
power consumption	≤30W

- Mechanism

finishing	black/silver, matt/brushed customization available
G.W.	6.7kgs
packing dimension	584*550*92mm
temperature	working 0°C~+50°C, storage -20°C~+60°C
humidity	working ≤ 90%, storage ≤ 90%

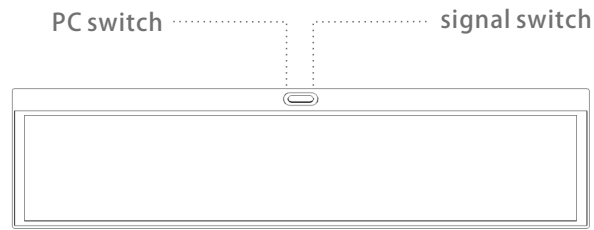
- Accessory

power adapter	installation clamp
---------------	--------------------

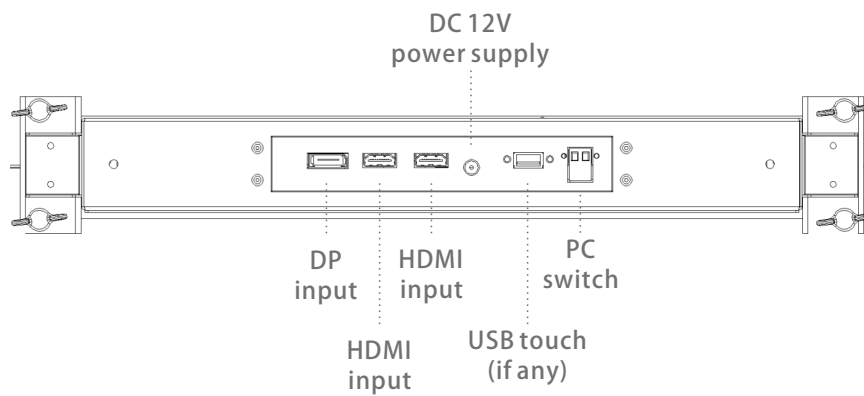
*Above specifications are subject to change without prior notice,
explanation right reserved.*



Cover plate



Connectors on the housing

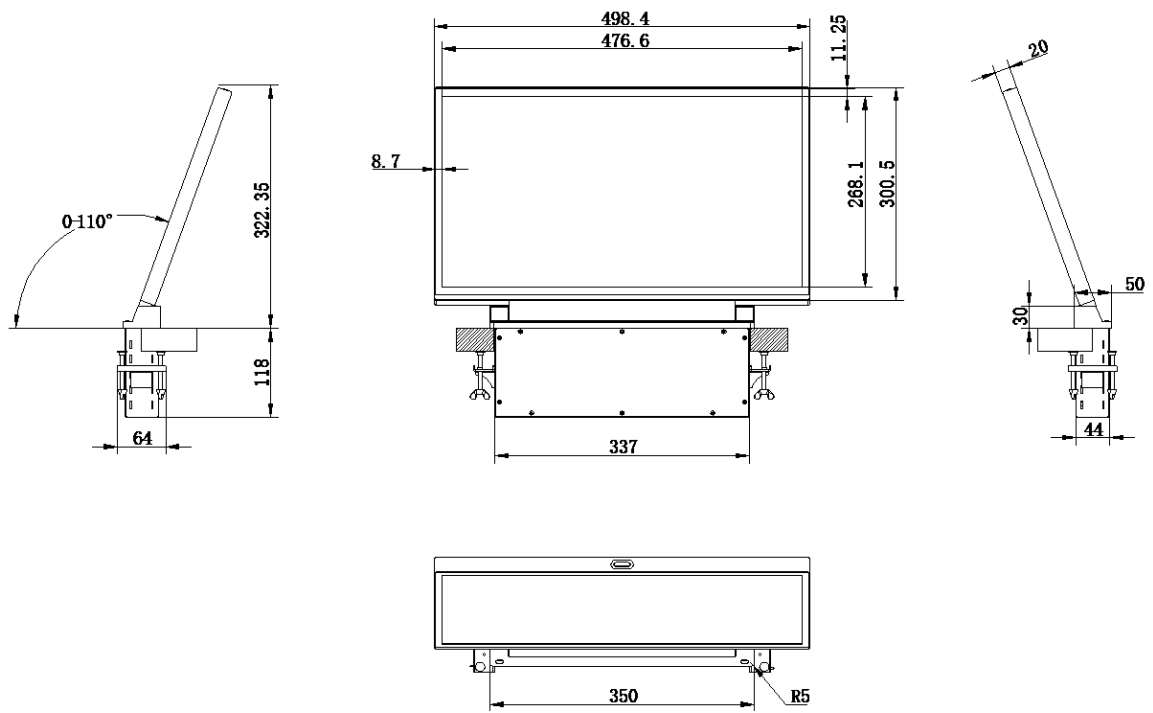


Warranty

1 year by default, effective from delivery date
price increase 3% when extend to 2years
price increase 5% when extend to 3years
price increase 10% when extend to 5years



Dimensions



Above dimensions for reference and subject to change, please double confirm.

